

# iHF 3D

COM1 - white

EAN 4007841 066222

Article number 066222



intelligent high  
frequency sensor  
160°



3 zones scalable 3  
x 1-7m, max. 7 m

2000 W

2000 W max.  
(LED-ready)



IP54



2 - 2000 lux



5 sec - 60 min (via  
App)



manual override  
4h



connectable via  
bluetooth



Ideal 2 m

Teach

Teach mode

## Function description

Makes all the difference outside. Precisely where you want it to. iHF 3D motion detector, ideal for facades, carports, parking areas and patios. 160° iHF-sensor with 5 m reach, 3D aerial technology, identifies and distinguishes between moving objects, no inadvertent triggering any more by small animals, very low or high temperatures. Detects everything equally well whichever direction it is approached from. Easy to adjust and interconnect by app and Bluetooth.

# iHF 3D

COM1 - white  
 EAN 4007841 066222  
 Article number 066222

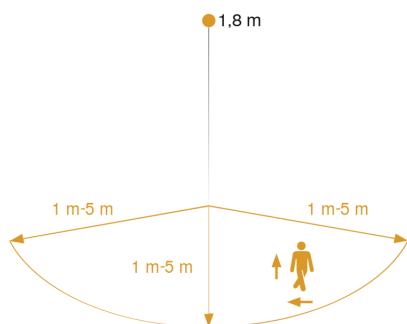


## Technical specifications

Type	Motion detectors
Dimensions (L x W x H)	120 x 117 x 120 mm
Mains power supply	220 – 240 V / 50 – 60 Hz
Sensor Technology	iHF (intelligent high-frequency technology)
Application, place	Outdoors
Installation site	wall
Installation	Surface wiring
Mounting height	1,80 – 2,00 m
Reach, radial	r = 5 m (35 m <sup>2</sup> )
Reach, tangential	r = 5 m (35 m <sup>2</sup> )
Reach, detail	Detection zone adjustable on 3 axes
HF-system	5,8 GHz
Detection angle	160 °
Angle of aperture	100 °
Optimum mounting height	1,8 m
Mechanical scalability	No
Sneak-by guard	Yes
Capability of masking out individual segments	Yes
Electronic scalability	Yes
Twilight setting TEACH	Yes

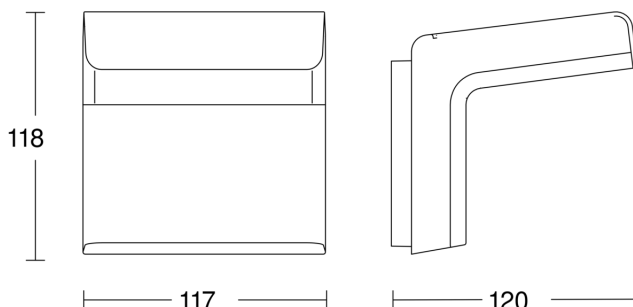
Twilight setting	2 – 2000 lx
Time setting	5 s – 60 Min.
Switching output 1, resistive	2000 W
Constant-lighting control	No
Basic light level function	No
Functions	Normal / test mode, Manual ON / ON-OFF
Settings via	Potentiometers, Bluetooth
Interconnection	Yes
Type of interconnection	Master/master
IP-rating	IP54
Material	Plastic
Ambient temperature	-20 – 50 °C
Application, room	outdoors, front door, all round the building, terrace / balcony, courtyard & driveway
Colour	white
Colour, RAL	9010
Manufacturer's Warranty	5 years
Version	COM1 - white
PU1, EAN	4007841066222
Technology, sensors	iHF (intelligent high-frequency technology), Light sensor

## Detection Zone



Mögliche Montagehöhe: 1,80 m – 2,00 m  
 Orange: radial und tangential  
 3 skalierbare Achsen

## Dimension Drawing



# iHF 3D

COM1 - white

EAN 4007841 066222

Article number 066222

## Master circuit diagram

